

KERN-LIEBERS

TEXTILE

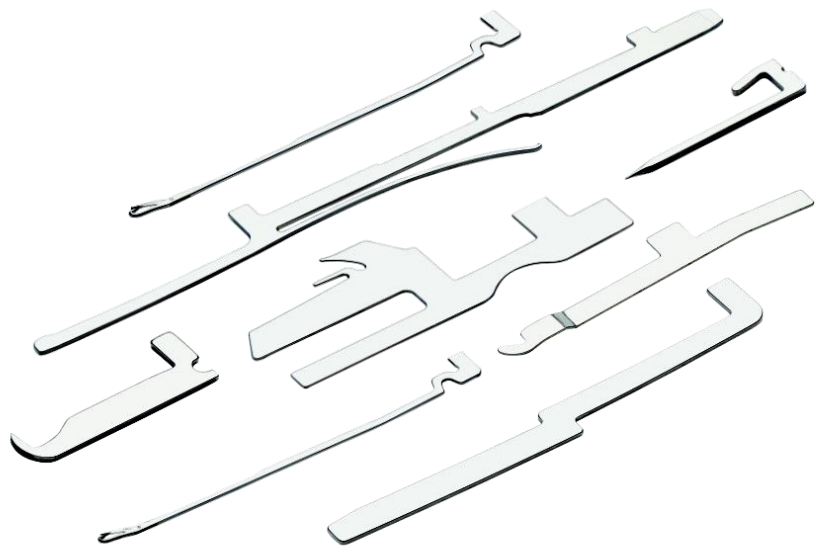
Sock Machine Needles & Parts

NEEDLES AND PARTS IN OEM QUALITY FOR ALL KINDS OF SOCK MACHINES

KERN-LIEBERS TEXTILE offers high end quality needles and a comprehensive product range of machine parts, e.g. sinkers, transfer jacks, selectors, cylinder bars and various others for virtually all sock machines.

Many years of experience in stamping, hardening und polishing technologies enable KERN-LIEBERS TEXTILE to produce technically demanding parts to ambitious designs. Most of our elements as well as our needles have been developed in very close co-operation with leading sock machine manufacturers worldwide.

This partnership ensures that all products made by KERN-LIEBERS TEXTILE meet sophisticated OEM specifications and constitute the best solution for quality minded knitting companies.

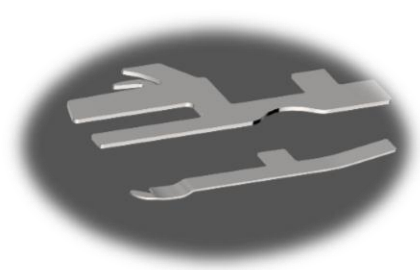


Benefits:

- OEM co-operation for toughest requirements
- Highly flexible
- Extremely close tolerances in terms of evenness and length of tip
- Perfect stamp quality, even with extreme rigidity and hardness



Sock needles produced with ambitious quality specifications



Perfect surface integrity because of leading polishing technology

www.kern-liebers-textile.com