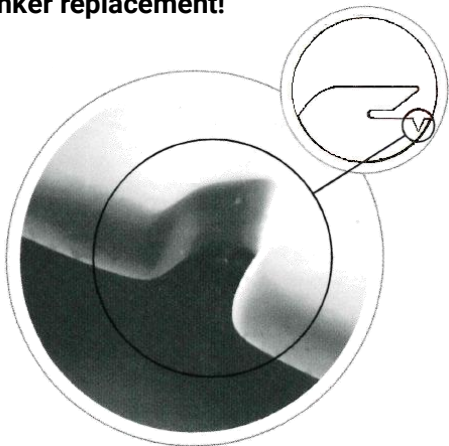




Polyester sinkers



Polyester yarns cut deep grooves in a very short time – which means frequent sinker replacement!



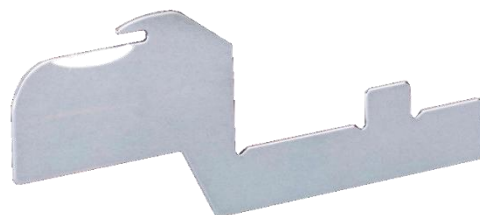
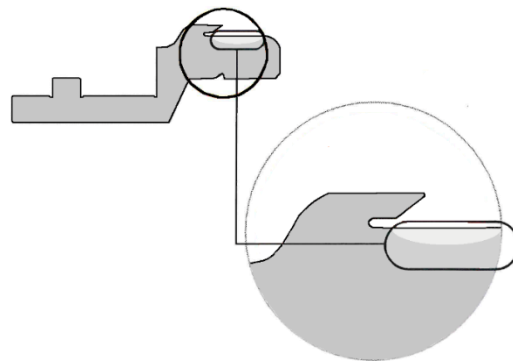
KERN-LIEBERS polyester sinkers represent the ideal solution to all of these problems. These special sinkers with considerably increased hardness on the sinker platform will improve the run time dramatically.

Polyester sinkers: The longer lasting sinker solution for abrasive yarns.

For abrasive yarns such as polyester semidull or elasthan, partial hardening on the sinker platform of the "polyester sinker" provides the ideal solution for maximum run times and extended replacement intervals. Polyester yarns present serious problems for traditional standard sinkers.

Abrasive yarn very quickly cut into the sinker platform producing a deep groove. It's not hard to see that the quality of the fabric suffers enormously as a result. Classic errors such as lines in the fabric, uneven loop formation or even capillary breaks are unavoidable.

As a consequence: The machine has to be completely overhauled at very short intervals because the sinker runtimes are too short. This increases not only the cost for spare parts, but also increases downtimes and reduces your all-important productivity!



Benefits:

- Less idle time
- Reduced costs
- Increased productivity
- Perfect loop quality